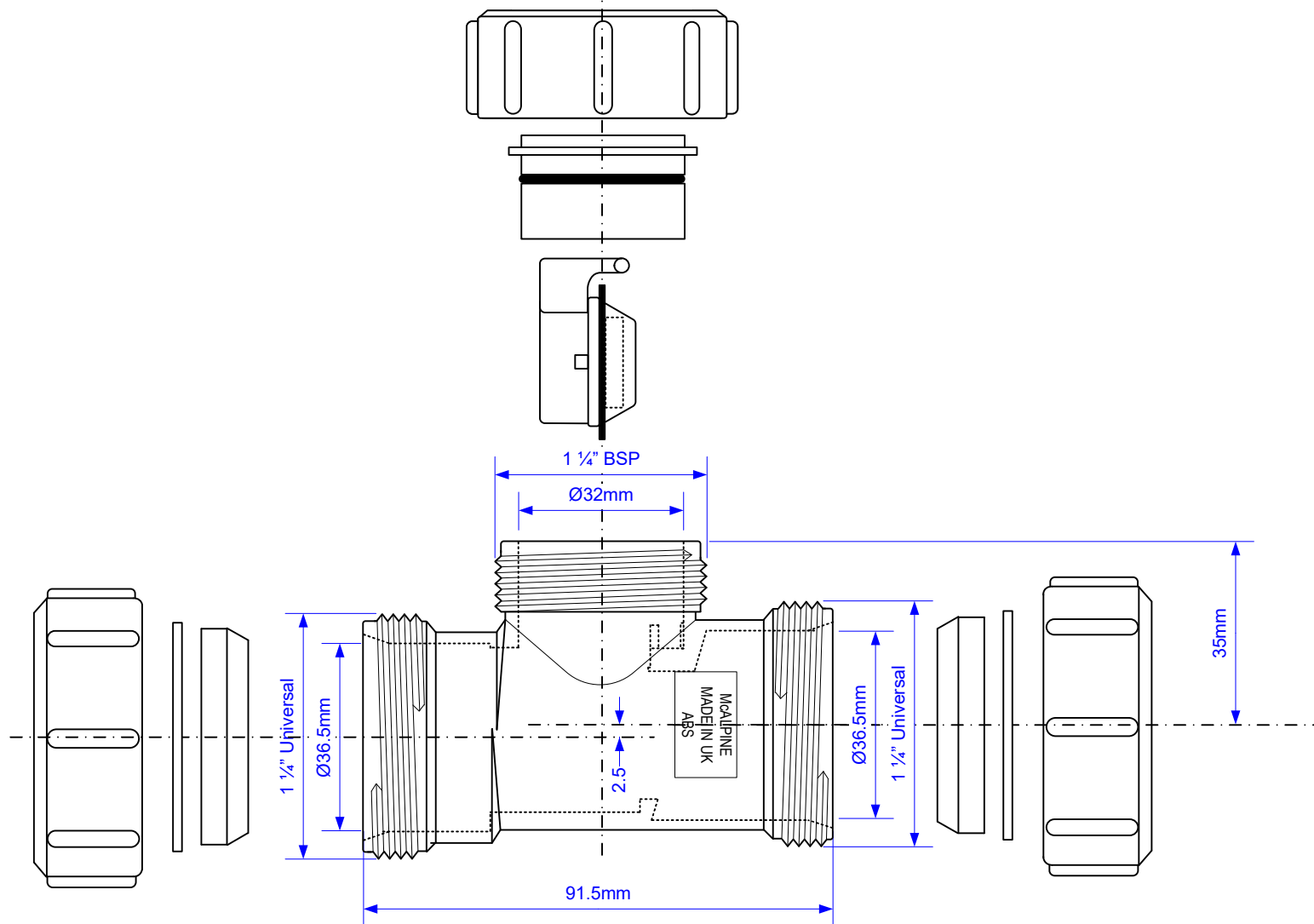


Code:

S28M-NRV



© McALPINE
31/07/2009

Drawing verified correct as of: 05/12/2018
RM

DRAWN BY RM
SCALE 1: 1.25

REVISED 23/01/2017, 14/04/2017, 19/12/2017
19/02/2018, 05/12/2018

FILENAME S28M-NRV.VSD
DATE 05/12/2018